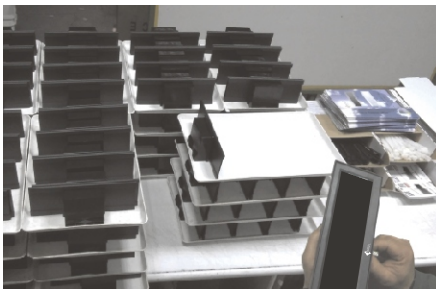



## Production

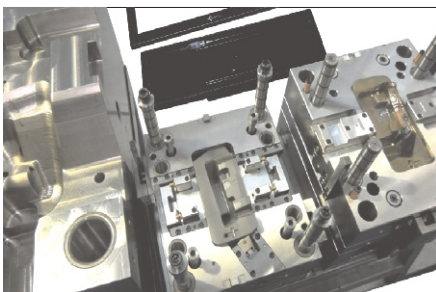


## Quality inspection of all products



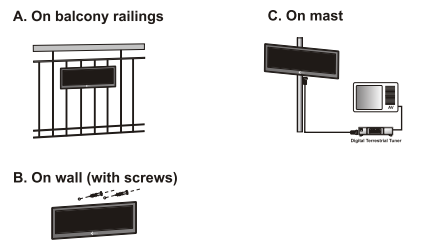
- Innovative and elegant design, introduced in an **extremely small size**.
- ideal for Digital Terrestrial TV, for Digital Audio Broadcasting, for High Resolution 1080p and Ultra HD TV channels.
- very easy installation, minimal dimensions and weight.
- no adjustments.
- no need for power supply.
- multiple **OUTDOOR** mounting capability (on mast, on wall, on balcony railings).
- fully usable with newer technology (DVB-T1 & DVB-T2)
- 4G-LTE ready (option). 
- with F type connector.
- CE marked.
- RoHS compliant.
- with 2 years guarantee.
- **designed and produced** (from scratch) in **Greece**, from MATEL electronics company.

**We produce** a new and unique antenna because it is innovative in technology design and effectiveness. This antenna is **not a replica** of an existing article. It is a Matel patent. This antenna is protected under **Patent number 1008497** and its International Classification is H04N 5/44, H01Q 9/26, H01Q 9/16, H01Q 1-42, H01Q 1/24.



High quality molds & parts

## OUTDOOR INSTALLATION

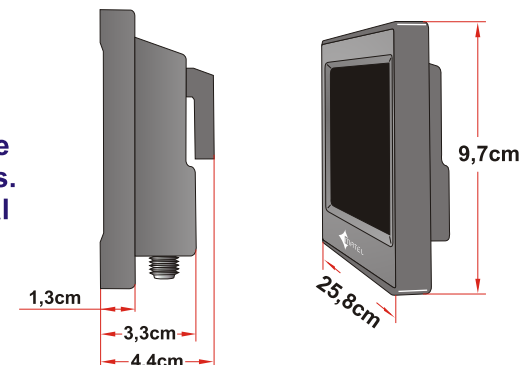


## Outdoor UHF ANTENNA for Digital Terrestrial TV

Type: ANDIGITAL-4G



**ANDIGITAL-4G**, an Innovative antenna from MATEL electronics. The modern way to watch Digital Terrestrial TV



## TECHNICAL SPECIFICATIONS

MODEL	: AnDigital - 4G
FREQUENCY RANGE	: 470MHz-862MHz (standard)
FREQUENCY RANGE	: 470MHz -790MHz (4G)
CHANNELS	: 21-69 or 21-60 (4G)
OUTPUT IMPEDANCE	: 75Ω
POWER SUPPLY	: not required
DIMENSION	: 25.8cm X 9.7cm
INSTALLATION	: outdoor

